

Industrial Panoramic X-ray Flaw Detector XXGH-2505 Model (Ceramic Tube)

1. Equipment picture:



2. Main character:

- Compact x-ray generator, anode grounded, forced air cooling
- Light weight, portable, easy to use
- The ratio of the exposure fine to the stop time is 1:1
- High voltage ,time delay function protects the operator from radiation
- Strictly controlled the production techniques, nice sculpt, reasonable design.

3. Main Components:

Item	Commodity Description	Q'ty	Parameter	Origin	Remark
1	Panoramic Ceramic X-ray tube inserted	1Pcs	250 KV, 5 mA	Aolono Group	
2	Generator (included above tube)	1 set	250 KV		
3	Interconnection cable with two plugs	1Pcs	25 m		
4	Console	1 set	/		
5	Power supply cable with one plug	1 Pcs	10 m		
6	Grounding cable	1 Pcs	5 m		
7	Accessories bag	1 nos	/		

Remark: The accessories including: alarm lamp, 1 Pcs; lead letter, 1 box; dark bag, 5 Pcs; intensifying screen,5 Pcs; Image quality indicator,1 set; fuse,1 set; Center indicator:1 Pcs.



4. Main technical parameter:

- ① Output voltage range:
150~250 KV, Continuously adjustable **By T4777 Model Console;**
50~250 KV, Continuously adjustable **By T4776 Model Console.**
- ② Power supply: 220±10% VAC, 50 Hz
- ③ Tube current: 5 mA
- ④ Focus spot size: 1.0 × 5.0 mm
- ⑤ Beam angle: 30° X 360°
- ⑥ Photography condition:
Focus 600 mm; expose time 5 minutes; double-face lead intensifying.
- ⑦ Transmission sensitivity: < 1.5%
- ⑧ Film density: > 1.5
- ⑨ Max penetration thickness: 34 mm (A3 steel)
- ⑩ Dimension and weight:



Generator: 325×325×705 mm/30.5 kg

Controller: 365×300×165 mm/11.5 kg

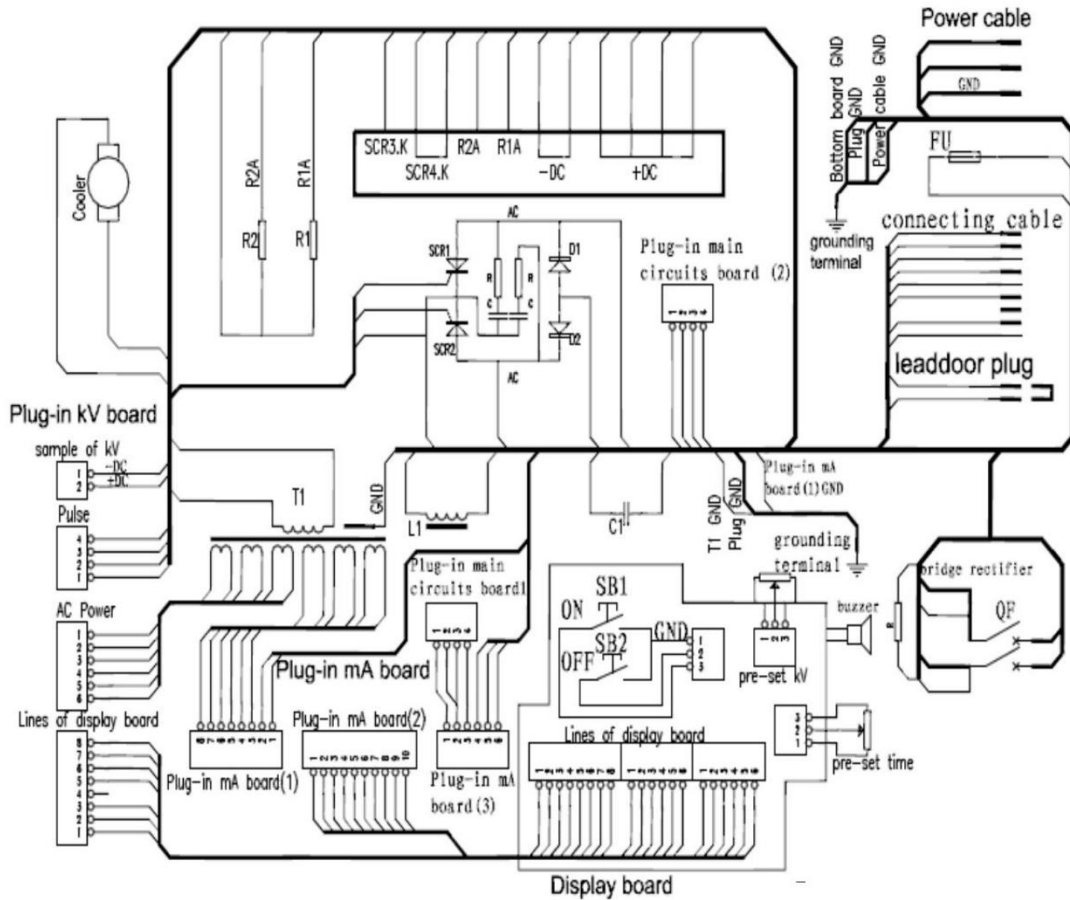
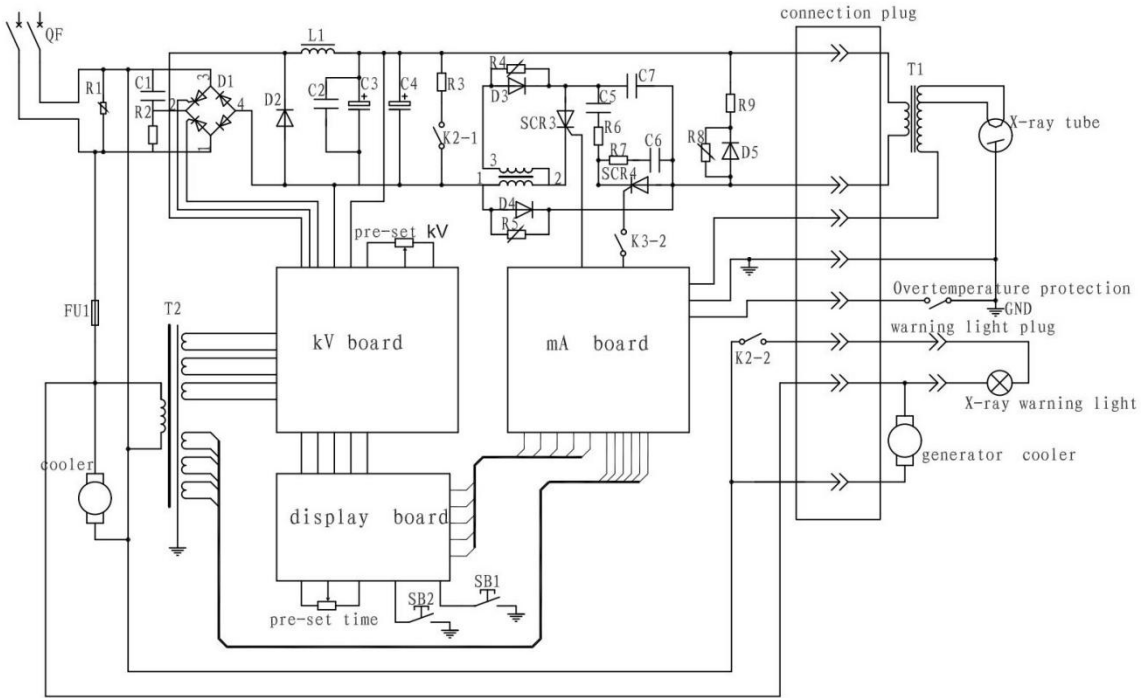
5. The controller

Control unit is the cabinet type construction. Four circuit panels and electronic devices are composed of it. All operating buttons and switches are equipped on the panel.

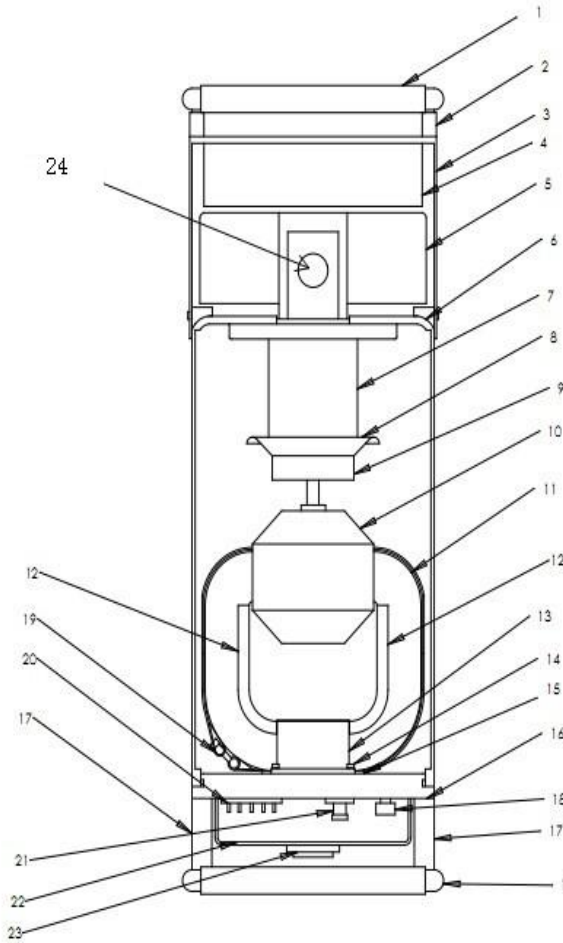


- ① Power Indicator lamp: Its lighting indicates the console can expose the X-ray.
- ② Ready indicator lamp: Its lighting indicates the X-ray generator is ready to be working.
- ③ Kv Indicator lamp: Its lighting indicates the console can expose the X-ray.
- ④ mA Indicator lamp: Its lighting indicates the console can expose the X-ray by fixed mA.
- ⑤ LED Time indicator screen: Its lighting indicates the X-ray generator is working time.



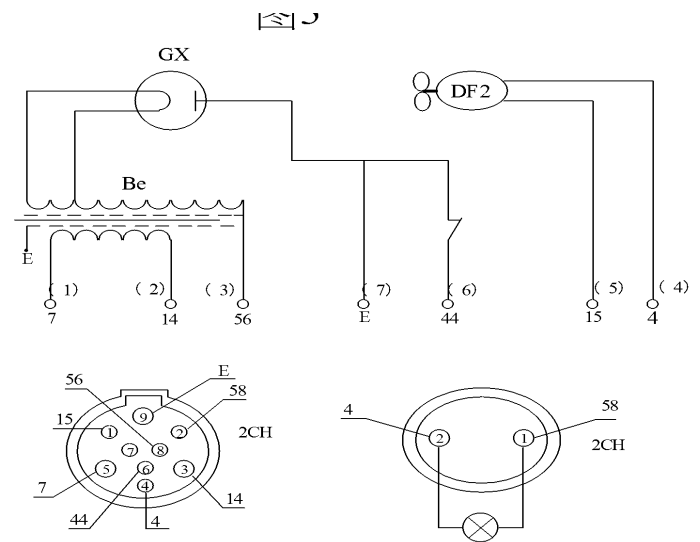


6. The drawings of generator



1. Handle
2. Absorber (head)
3. Cover of fan
4. Fan
5. Hat sink
6. Container of tube
7. Tube inserted
8. Cover area of tube inserted
9. Cover of tube cathode
10. H.V coil
11. Iron core
12. Coil holder
13. Stand of coil
14. Bolt
15. Absorber mat for iron core
16. Cover of machine
17. Absorber (bottom)
18. Pressure gage
19. Wire tie of iron core
20. 7 cores wire holder
21. Aerator tank
22. Cover of tube anode
23. Socket of cable
24. X-ray window

7. The drawings of 7 pins cable:



8.The pictures are for reference.

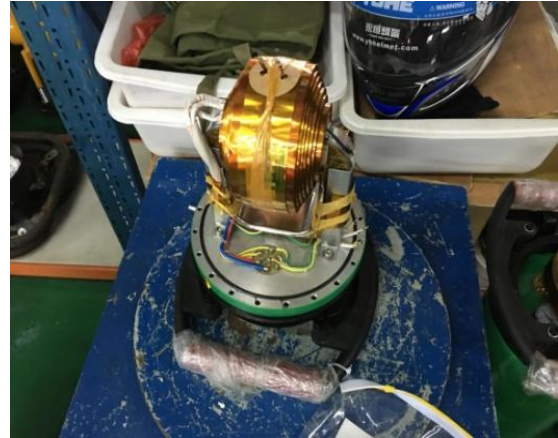
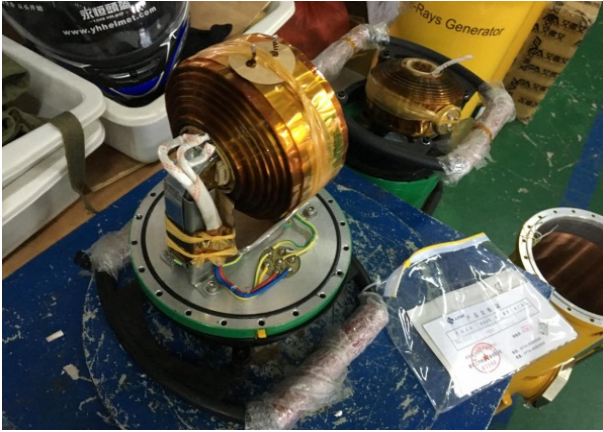
8.1 The machines are tested in lab room before leaving our factory.



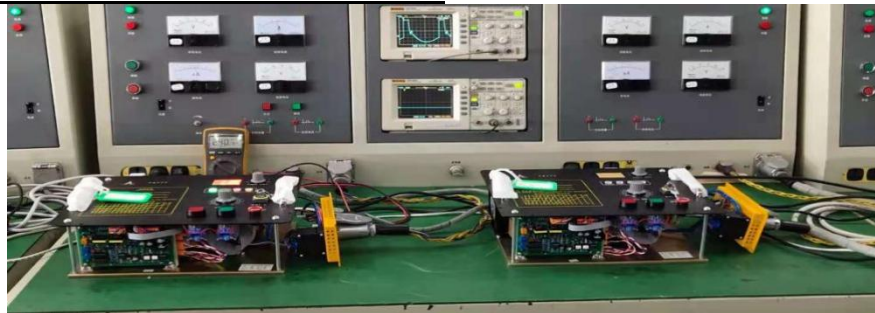
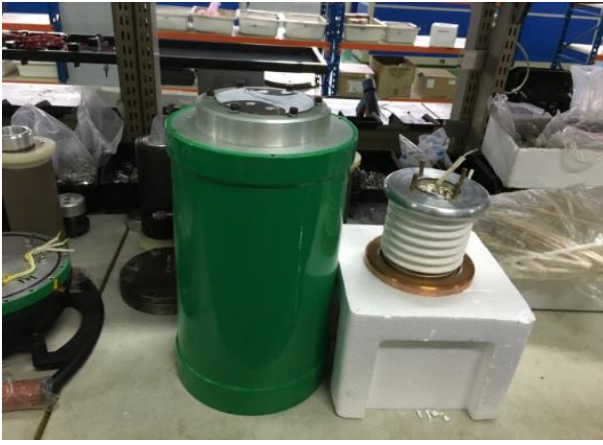
8.2 The console of X-ray machine is in testing status.



8.3 The coils(enamel-insulated Cu wire is made in Japan.)



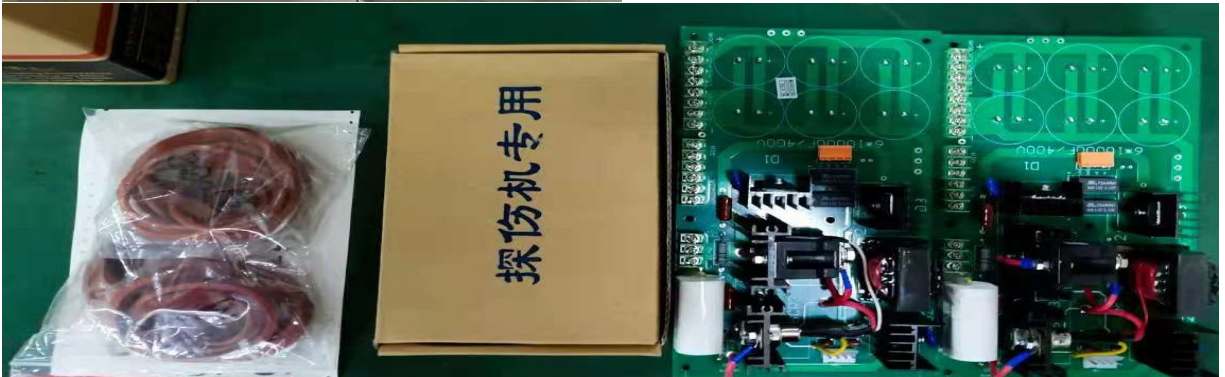
8.4 Assembly



8.5 Machines tested in the stock



8.7 Accessories



8.8 Package



Thank you for your consideration, and appreciated your business.

M:+8615941519904

E-mail: aolongndt@163.com , charles@alndt.com

Whatsapp:+8615941519904

Skype:loving317

DANDONG AOLONG RADIATIVE INSTRUMENT GROUP CO.,LTD.